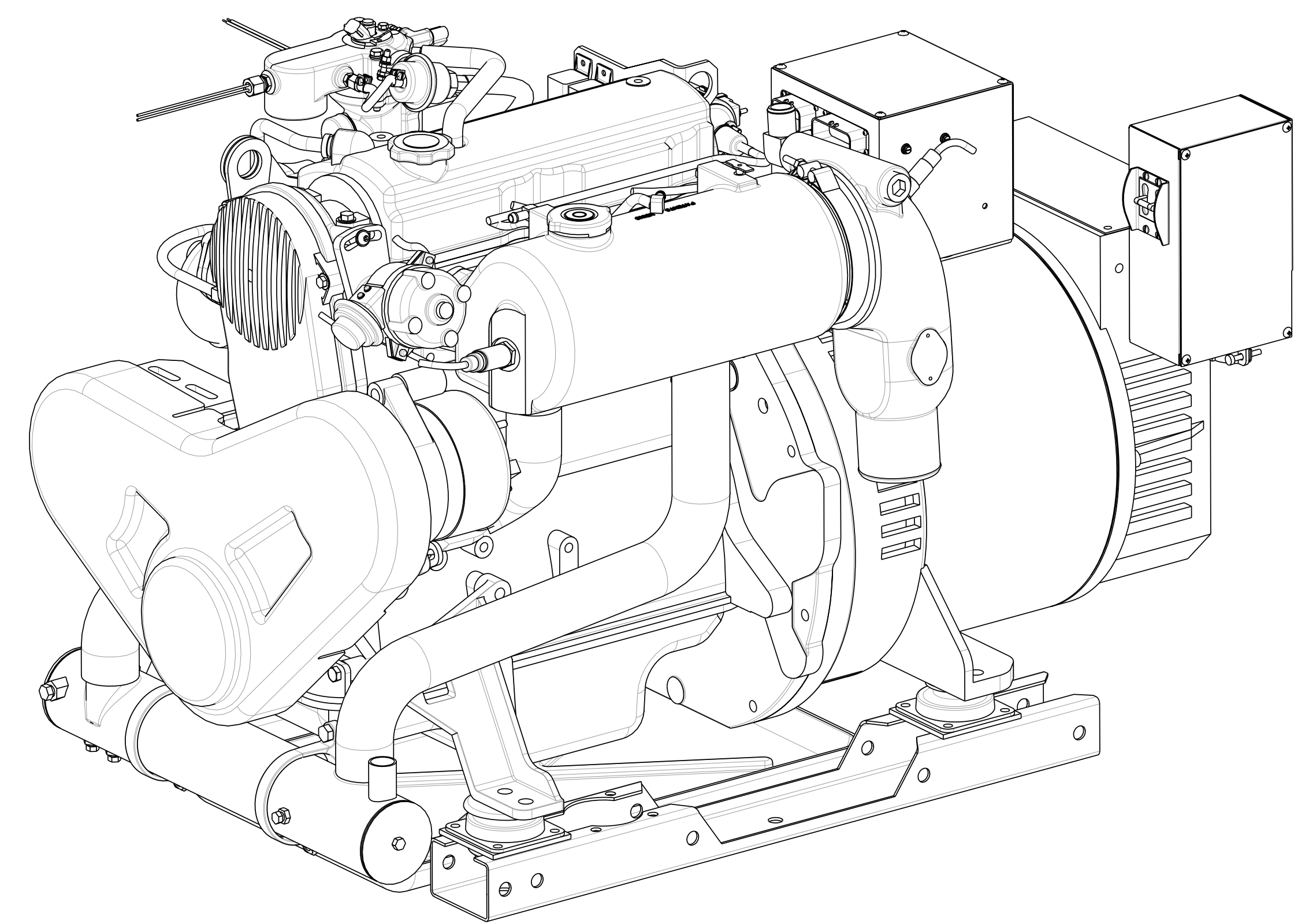
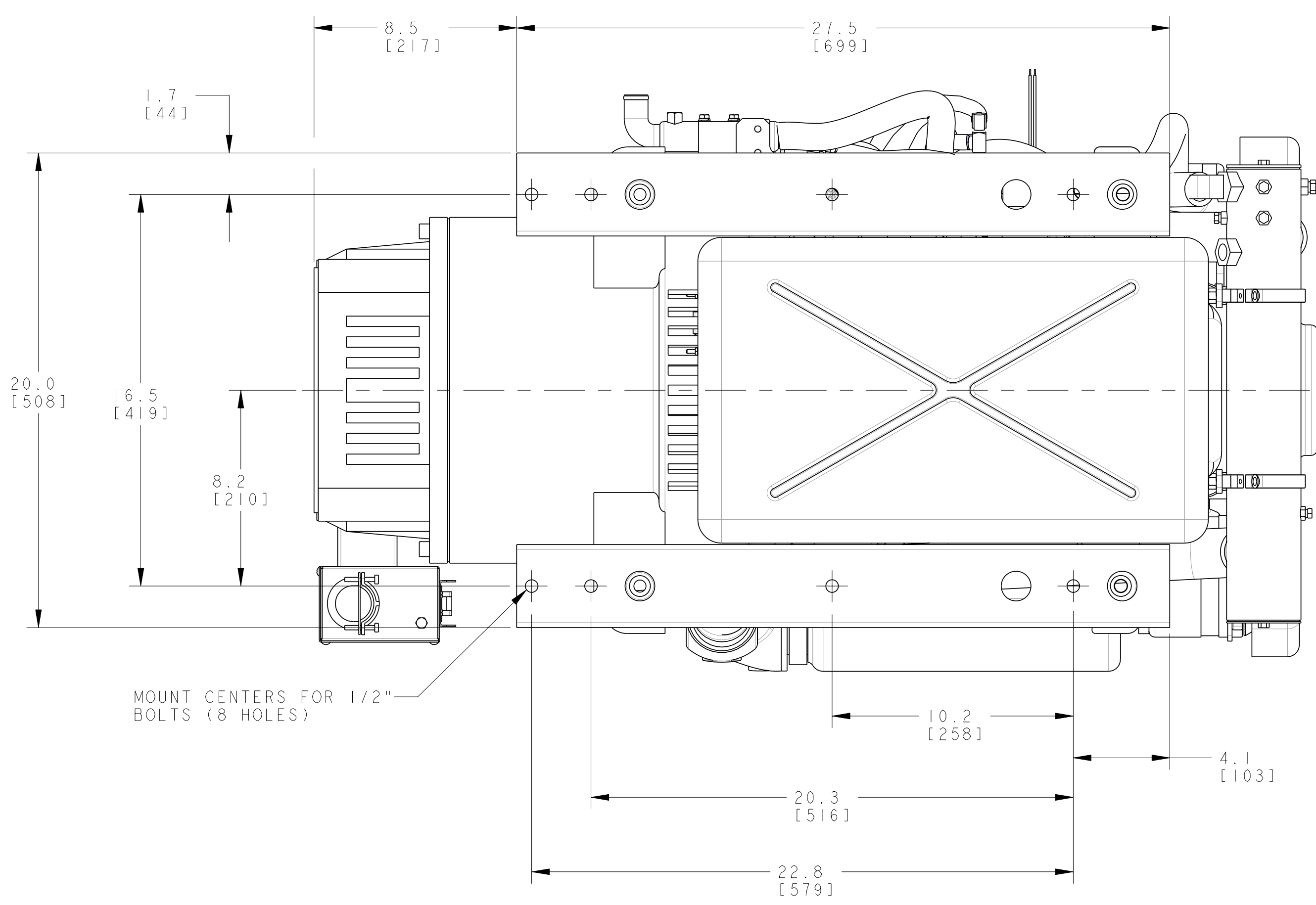
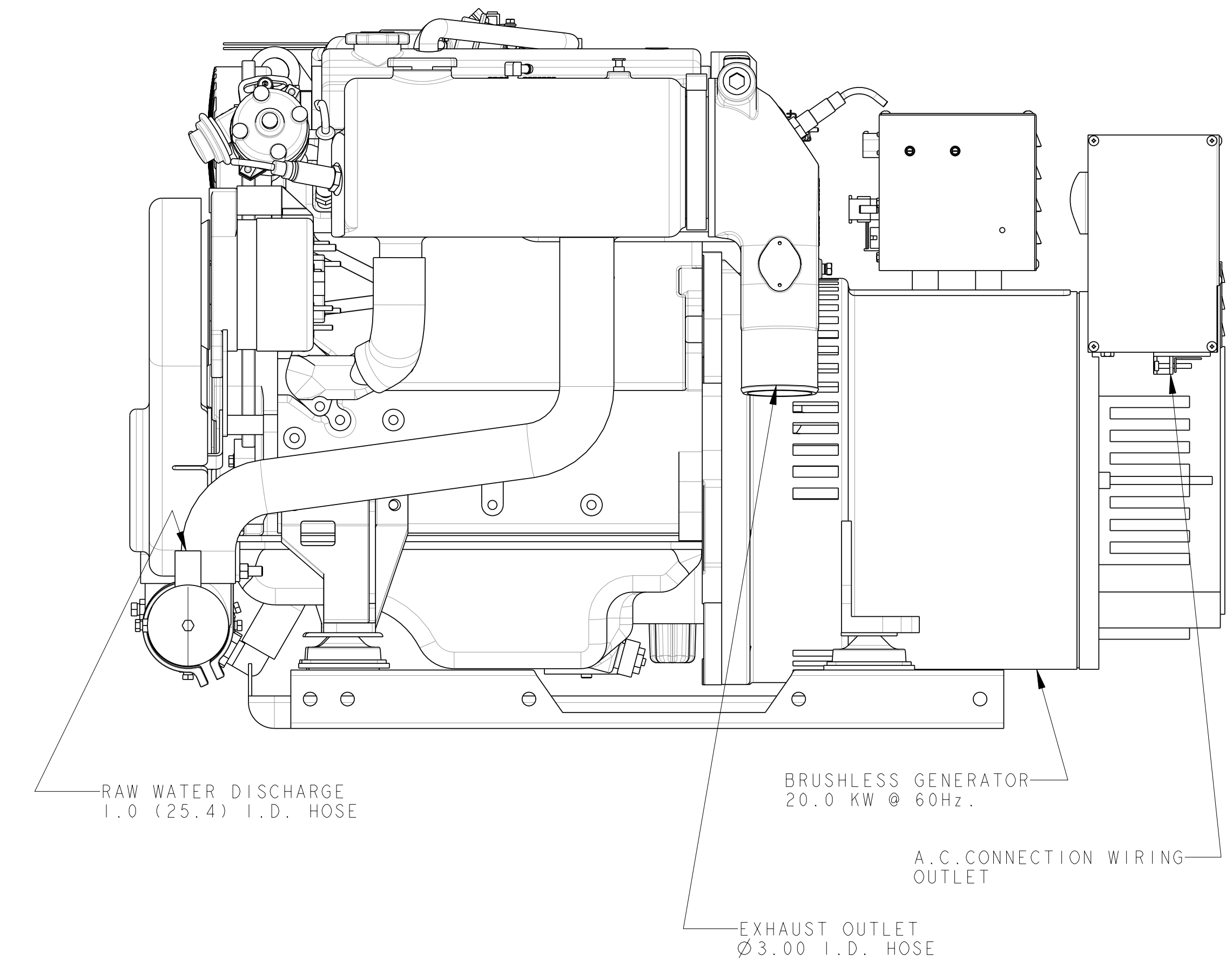
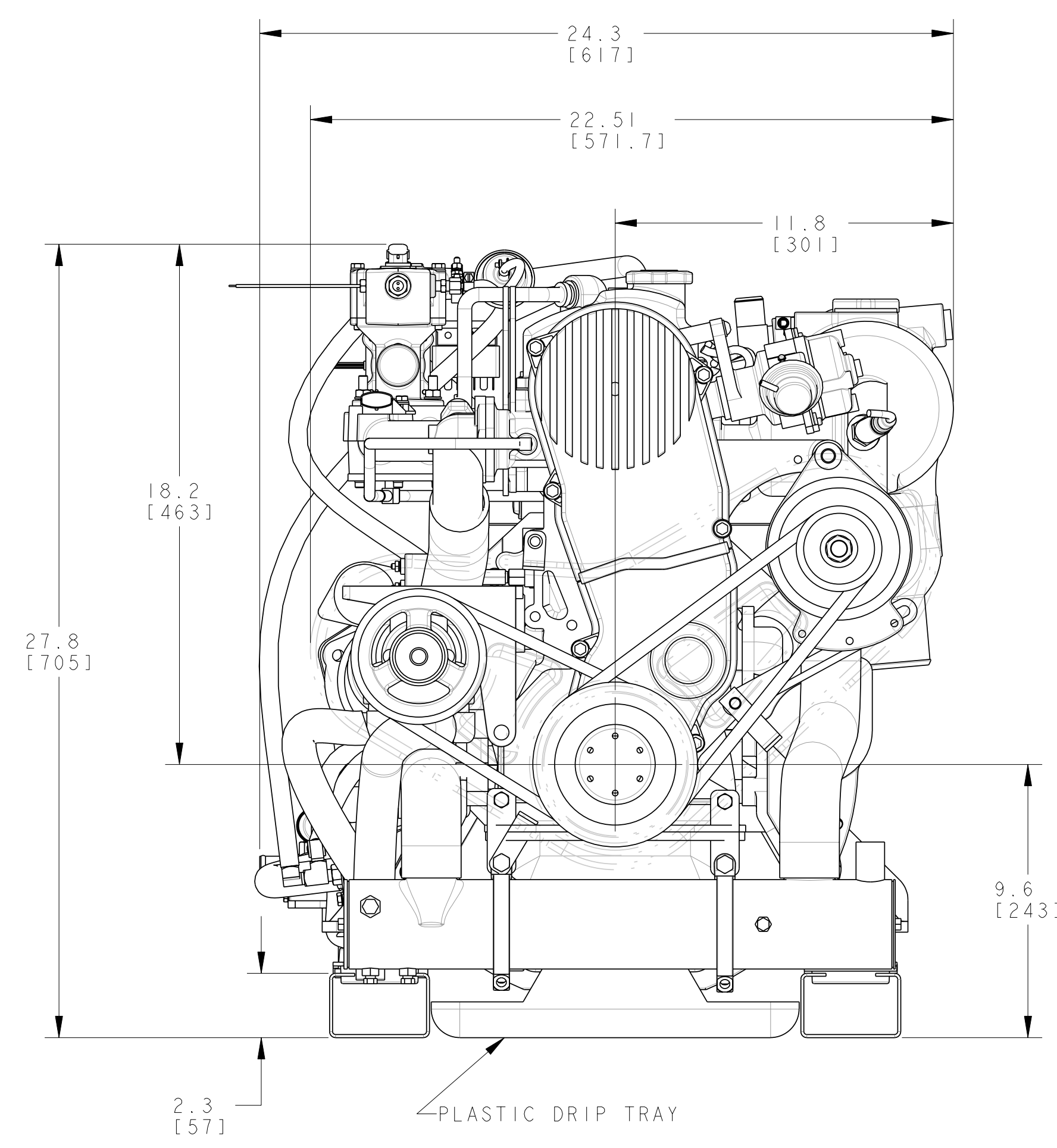
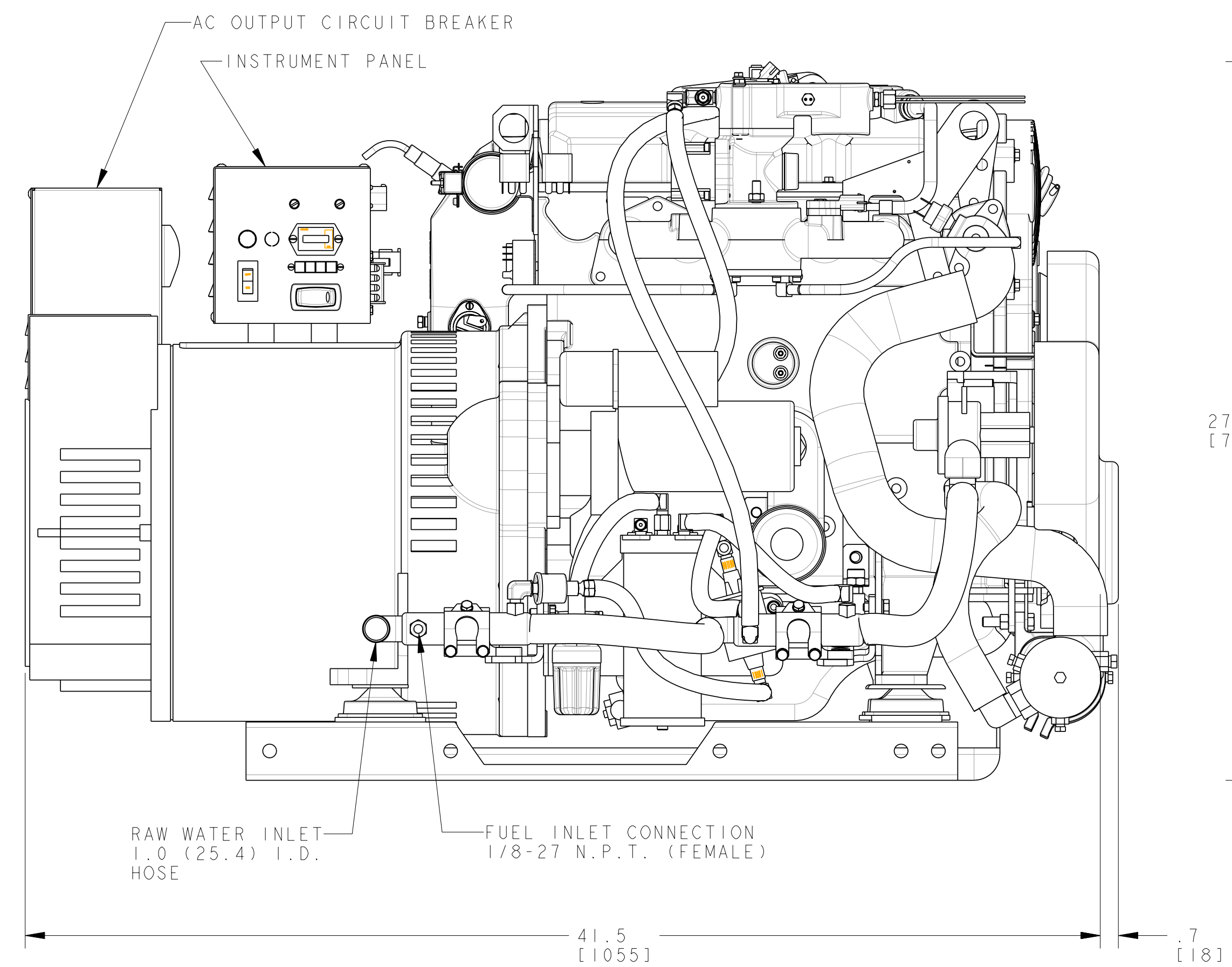
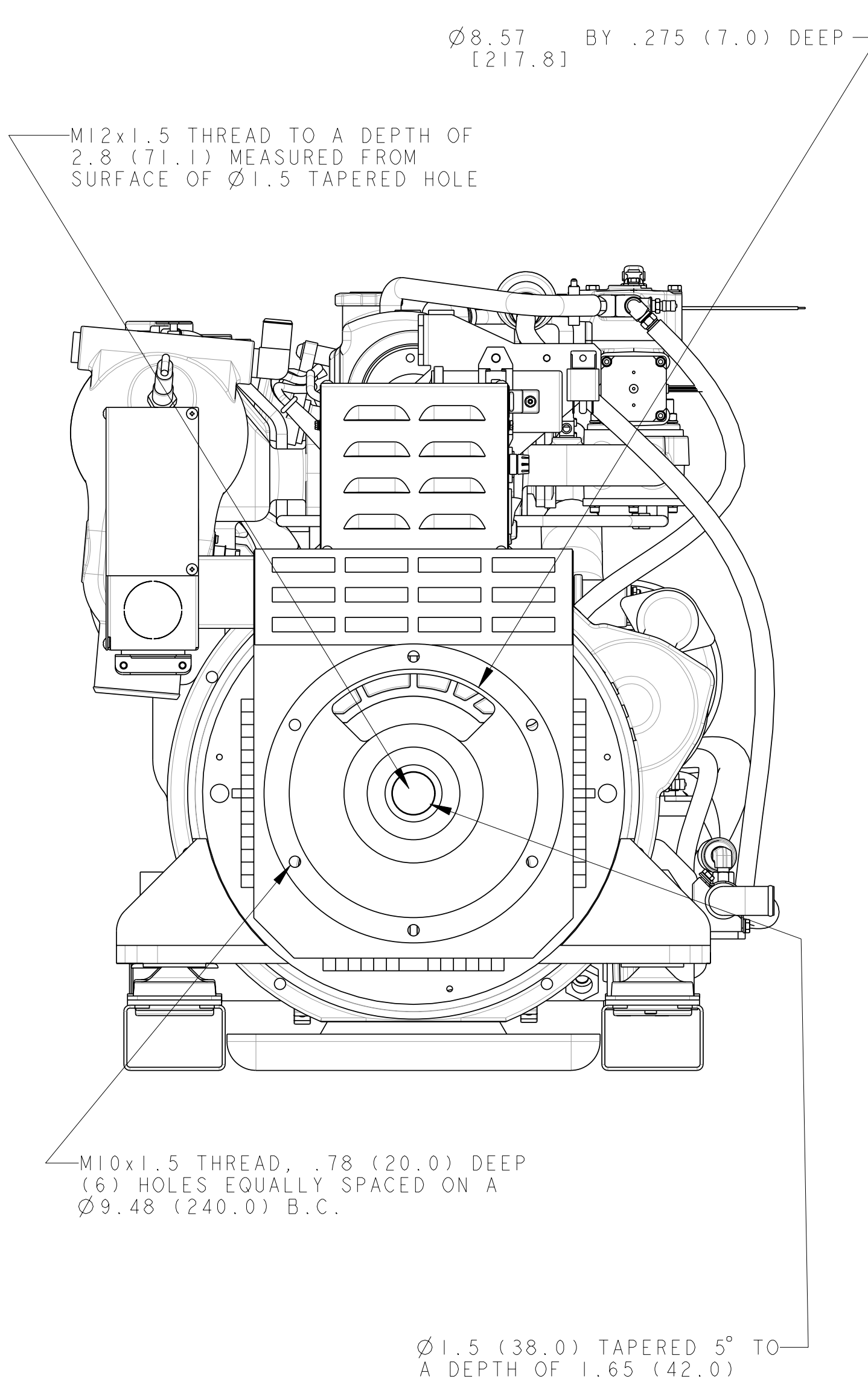
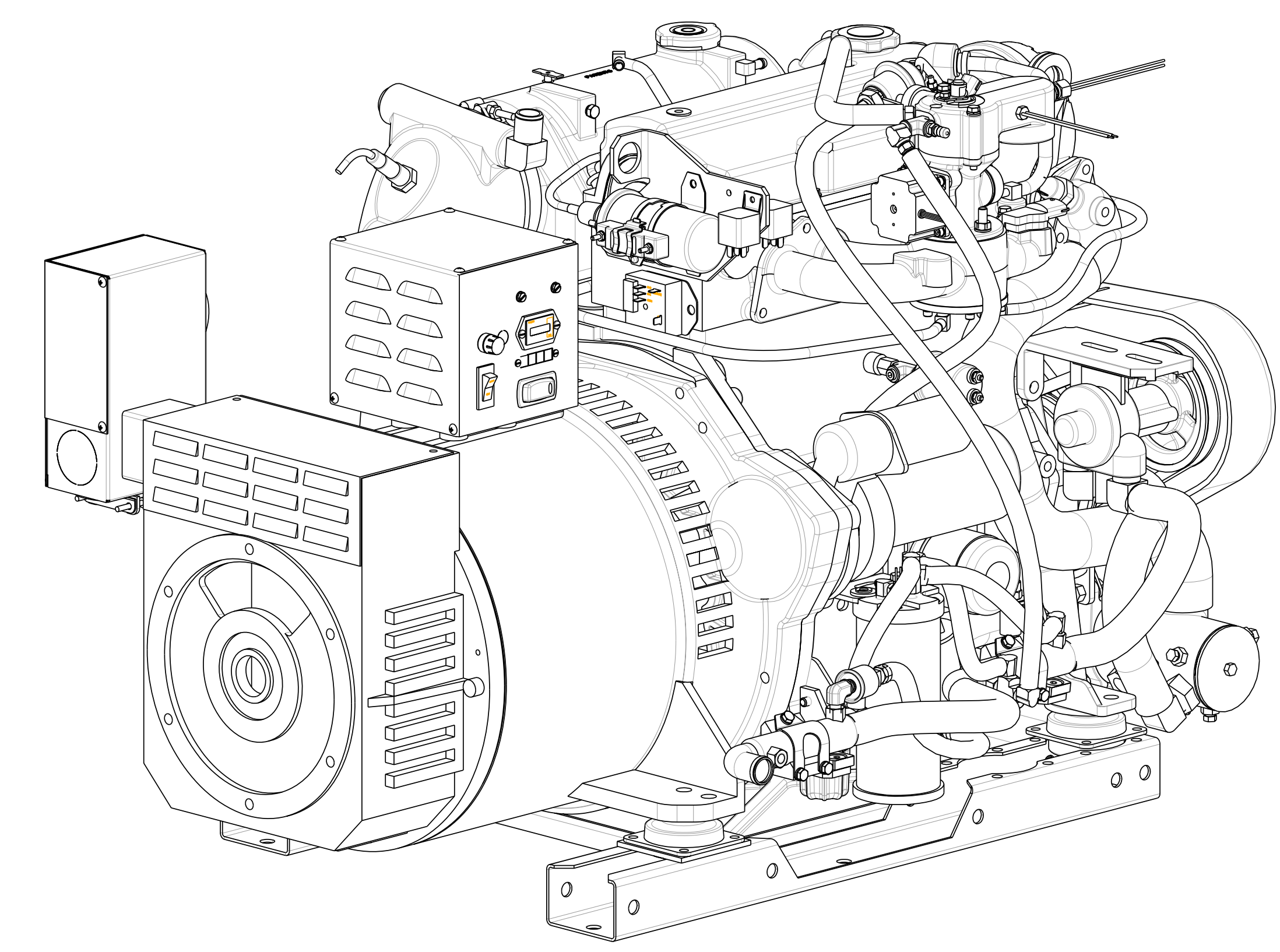
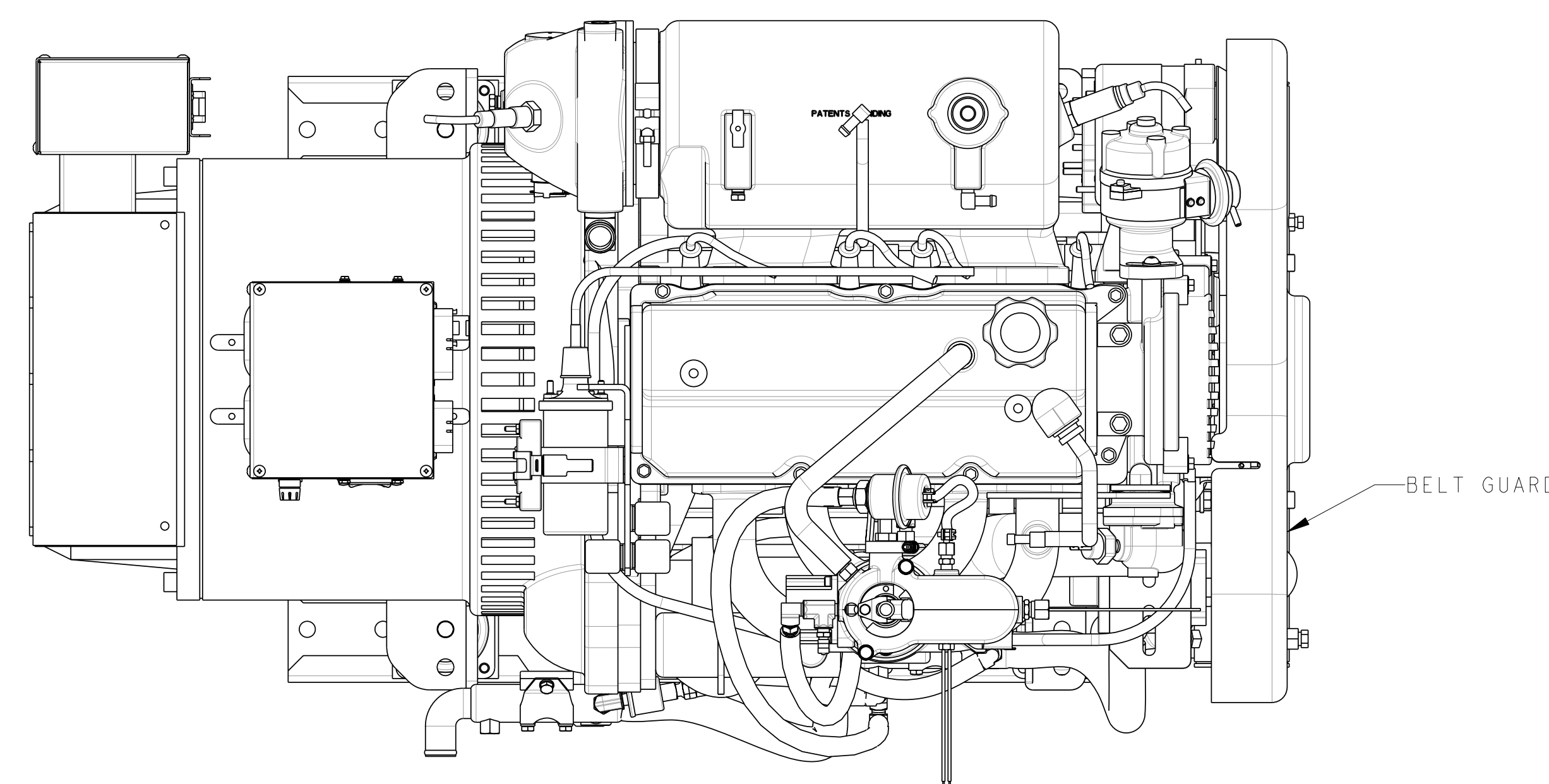


ECO NO.	DATE	REV.	REVISION RECORD	AUTH.	DR. BY
	8-3-04	A	REVISED INTAKE AND THROTTLE BODY ASSEMBLY		WRM
6092	10-3-2003	B	ADDED RETURNLESS FUEL SYSTEM.		GA
6602	2-19-2009	C	UPDATED TITLE BOX TO INCLUDE 20-22.5 SBEGA.		GA



TOLERANCES (UNLESS OTHERWISE NOTED)		WESTERBEKE CORPORATION TAUNTON, MA. 02780	
INCHES	MILLIMETERS	TITLE	
.XX ± .02	X ± 1.0	INSTALLATION DRAWING	
.XXX ± .005	XX ± .5	20.0 AND 22.5 KW. SBEG/A	
CAST ± .03	XX ± .13	DATE	MATERIAL
FINISH		16/Mar/04	---
DIMENSIONS		APPROVED BY	DATE
SCALE 0.250		WRM	16/Mar/04
(WHEN APPLICABLE)		SIZE	DRAWING NUMBER
Sht. 1 of 1		E	49269
			REV. C